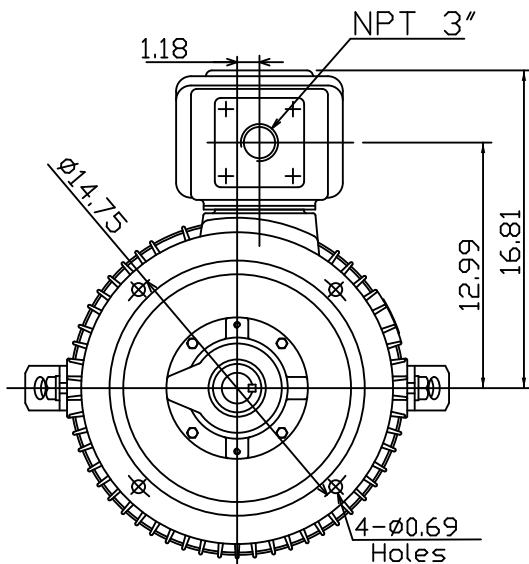
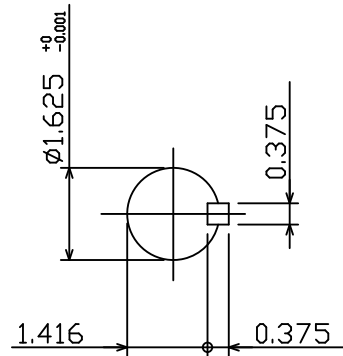
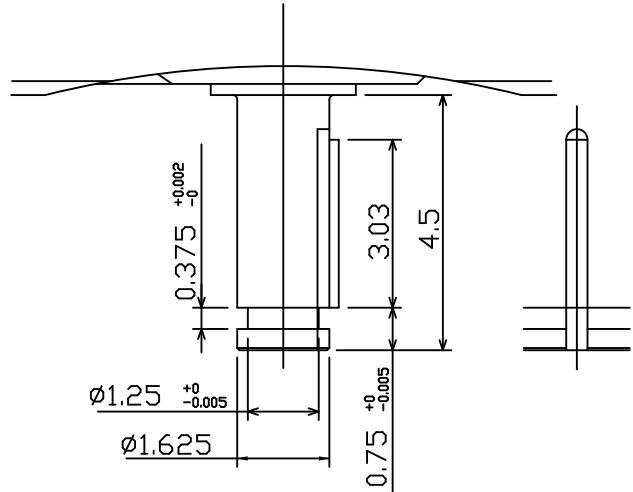
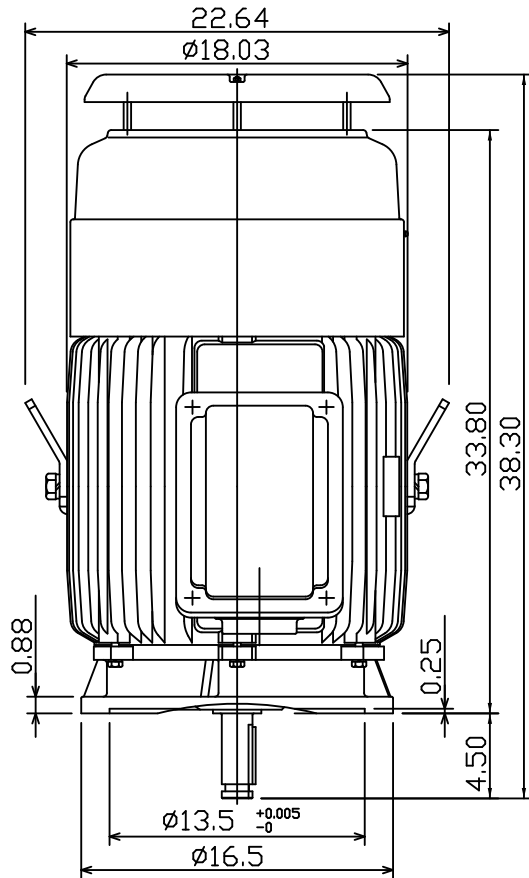


Pole	HP	kW	Hz	VOLT	Syn.Speed r/min(rpm)
4	75	56	60	230/460	1800

Ins	Rating	Dimension in	Approx Weight	Bearings
F	CONT.	inches	1004 LBS.	DE: 6313C3 NDE: 7318B

Totally Enclosed Fan-Cooled Type. Squirrel-Cage Rotor.



Note:
1. Downthrust 6000 lbs
(L10:8800 HOURS)



DWN.	K.L.KUD	09-30-08
CHKD.	K.L.KUD	10-06-08
APPD.	M.C.TSAI	10-06-08